

**NATURAL**  
**RESISTANT**  
**SIMPLE**

Audio, Video and  
Communications  
for Broadcasters



**BRAVO**

Audio Mixer for Broadcasting

**Multiple Features:**

- 2 Telephone Hybrids Built-in.
- 10-Watts Power Amplifier Built-in.
- 2 Stereo Busses Program + Audition.
- CUE Stereo Speakers.
- 2 VU meters Selectable Master or "Select" with adjustable viewing angle.
- Built-in Talk-back microphone with send to telephone and studio headphones.
- Universal Power Supply 100-240 V. 100 VA.
- Flexible design for Tabletop or Countersink into studio furniture.

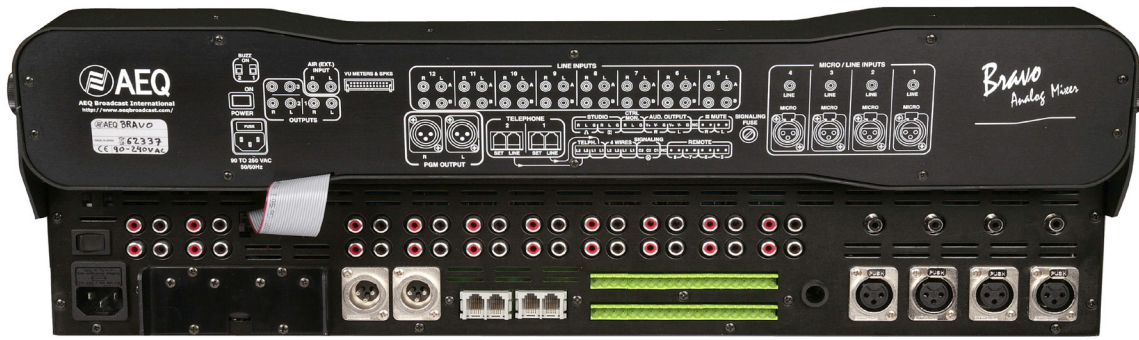
**Just some of the features the BRAVO has as standard:**

- 4 mic - line channels.
- 8 dual stereo line channels.
- 1 dual telephone channel with 2 hybrids included.
- 2 stereo programme busses.
- Stereo CUE bus with built-in loudspeakers.
- Stereo monitor output with built-in power amplifier.
- Headphone output.
- ON-AIR signalling and automatic monitor cut-off.



# Technical Specifications and Features

Bravo, Audio Mixer for Broadcasting



## INPUT CHANNELS DESCRIPTION:

### 4 Mic/Line channels:

- Electronically balanced mic input.
- Asymmetrical line input.
- Mic/line switch.
- 100 mm VCA fader.
- CUE button.
- Telephone send button.
- Master and Audition send buttons.
- Channel ON/OFF button.
- XLR female (Mic.) and RCA phono (Line) connectors.
- Fine adjustment for input gain.

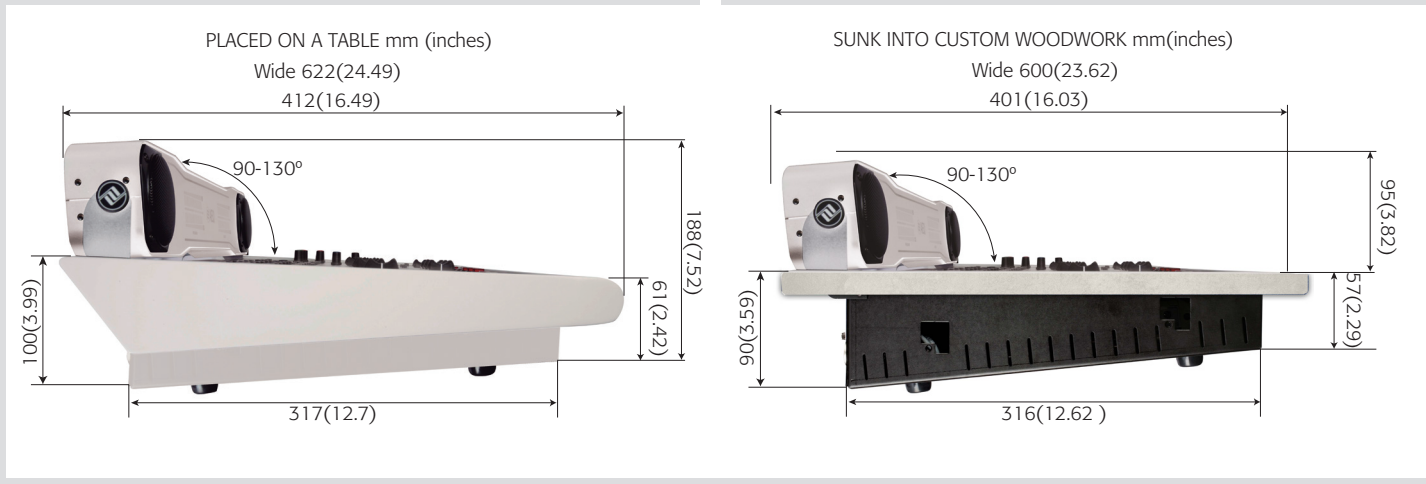
### 8 Stereo Line Channels:

- Asymmetrical stereo inputs.
- Line input A / B switch.
- 100mm VCA fader.
- CUE button.
- Telephone send button.
- Master and Audition send buttons.
- Channel ON/OFF button.
- RCA phono connectors.
- Fine adjustment for input gain.

## OUTPUT FEATURES DESCRIPTION:

- Program + Audition transformer balanced stereo outputs (XLR male + Hartmann), with level preset.
- Balanced Control Room Monitor stereo output with control level.

## DIMENSIONS



- 10 W stereo output for Studio Monitor. Program / Audition / CUE selectable.
- 10-W stereo loudspeakers on VU meter bridge.
- Three stereo recording outputs (RCA connector) with level preset.

## AUXILIARY INPUT FUNCTIONS:

- External stereo input with level preset. RCA connectors.
- Internal jumpers for Programme/CUE send.

## TELEPHONE CHANNEL:

- Two telephone line Inputs (RJ11).
- Two built-in telephone analogue hybrids with C and R control. Switchable to use external hybrid with RJ11 and strip connectors for telephone handset.
- Program/Audition/CUE send.
- Volume pot.
- Return from input channels or talkback.
- Incoming call buzzer and LED indicator.
- Hold switch.

## OTHER FUNCTIONS

- Talkback microphone with send buttons to telephone and studio headphones.
- DC Studio and cue light signalling. Strip connector output.
- Two stereo VU-meters: Program and Select.
- Studio monitors muting.

## POWER SUPPLY:

Autorange 100-240 V. 100 VA 50-60 Hz.

## APPROX WEIGHT:

10 KG (22 lbs).

BRAVO\_06\_21

### AEQ - HEADQUARTERS

Margarita Salas, 24  
28919 Leganés · Madrid · Spain  
Tel.: +34 91 686 13 00  
Fax: +34 91 686 44 92  
website: www.aeq.eu  
e-mail: aeqsales@aeq.es

### AEQ - CATALUNYA

Tel.: +34 93 414 03 96  
e-mail: nolivella@aeq.es

### AEQ - PORTUGAL

Tel.: +351 917 529 243  
e-mail: apicarra@aeq.es

### AEQ - INDIA

Tel.: +91 987 363 32 11  
e-mail: nirav@aeq.es

### AEQ - KROMA MEXICO

Tel.: +55 54132716  
e-mail: creyna@aeq.es

### AEQ - USA

Tel.: +1 (954) 581 79 99  
e-mail: sales@aeqbroadcast.com